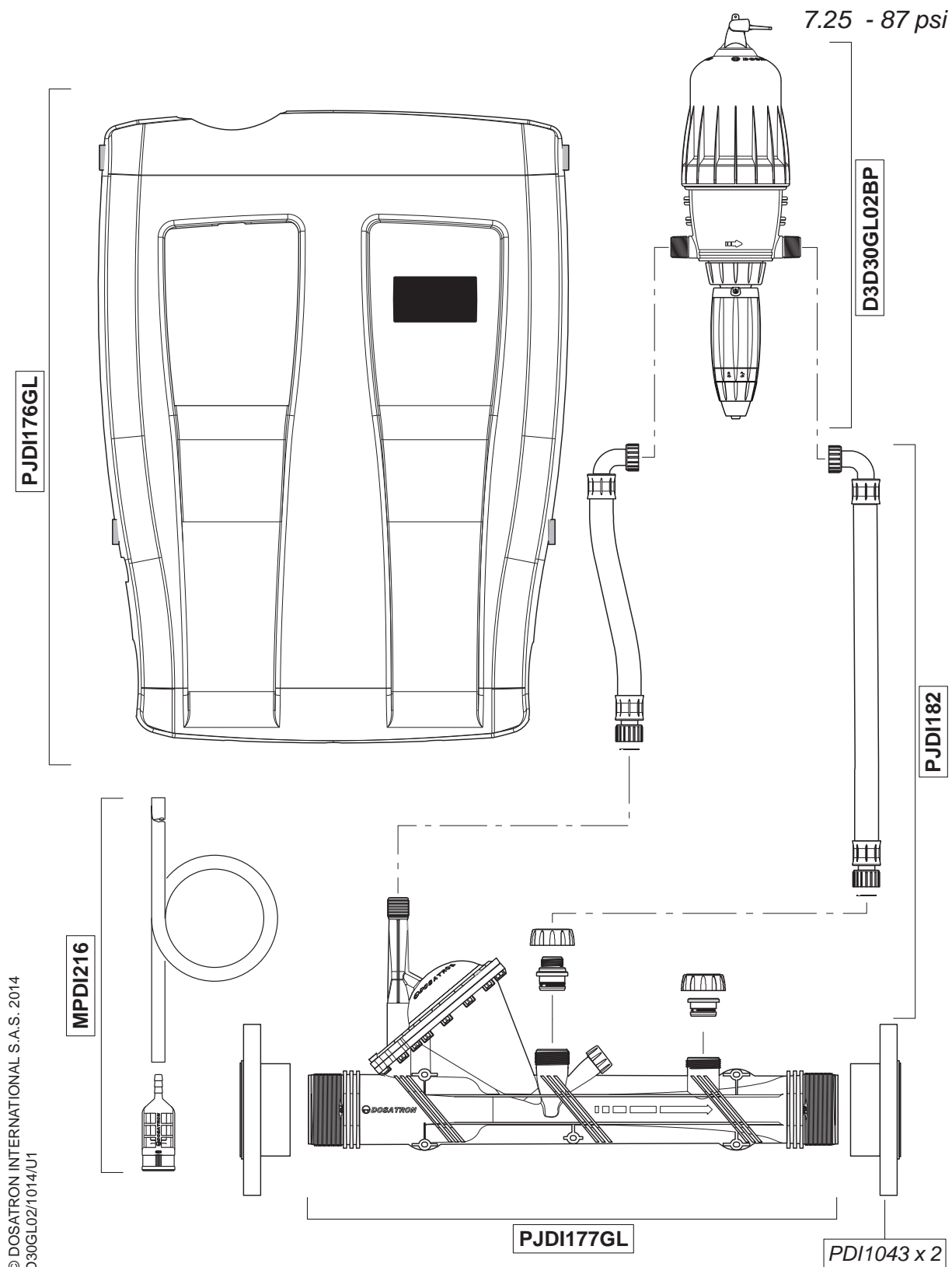


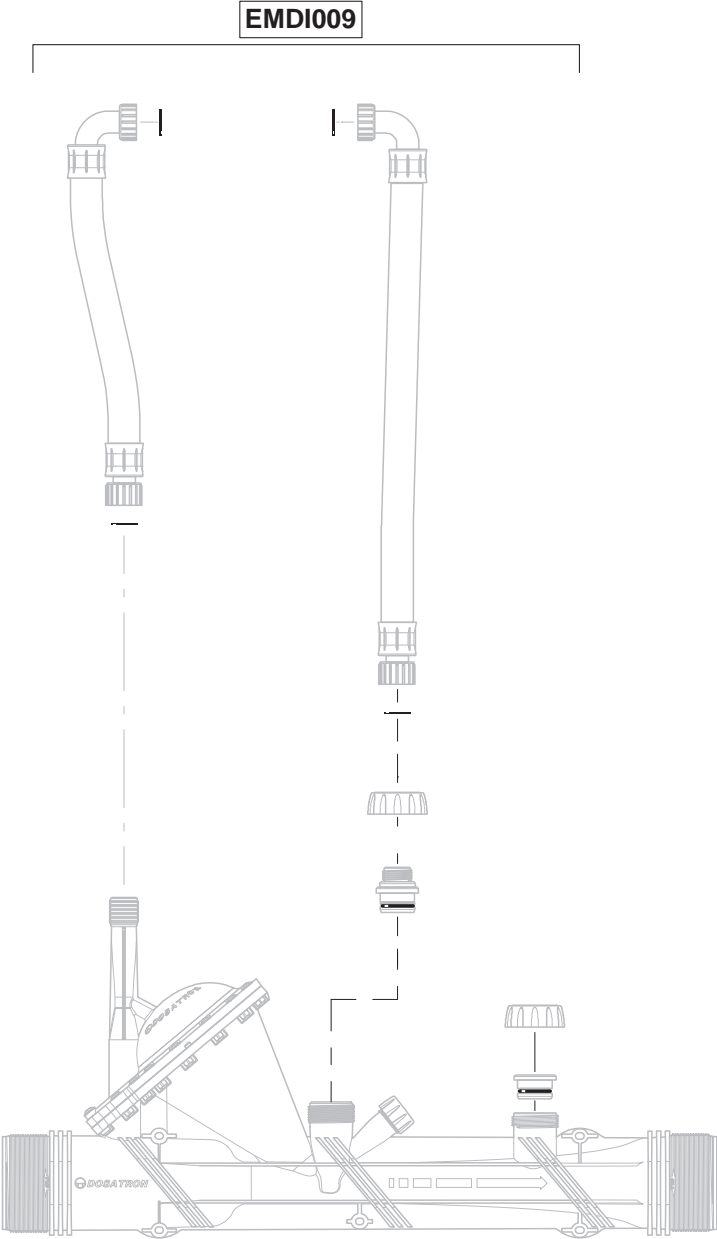
# D30GL02

30 m<sup>3</sup>/h - 0.02 - 0.2%  
 140 GPM - 1:5000 - 1:500  
 0.5 - 6 bar  
 7.25 - 87 psi



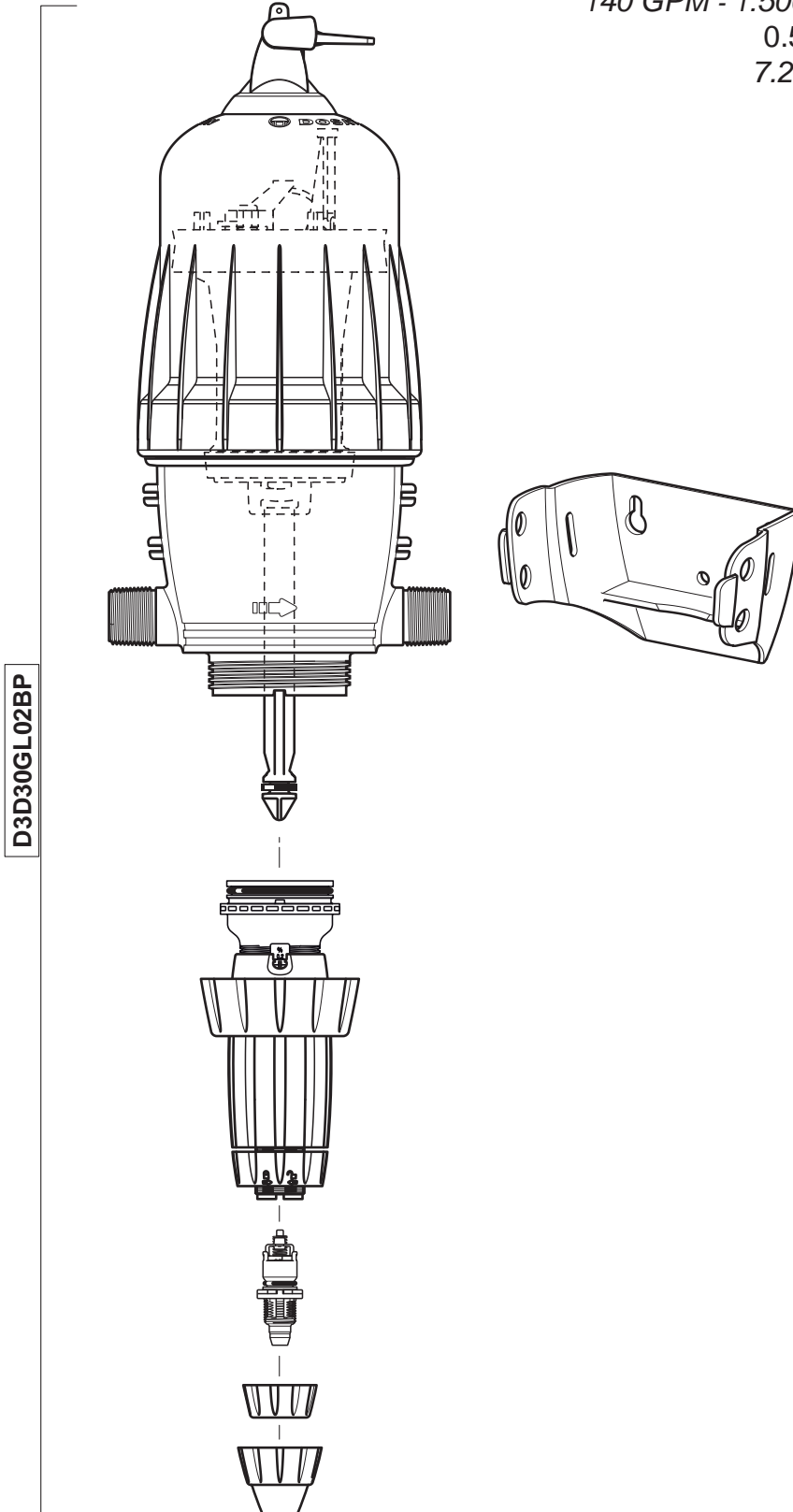
# D30GL02

30 m<sup>3</sup>/h - 0.02 - 0.2%  
140 GPM - 1:5000 - 1:500  
0.5 - 6 bar  
7.25 - 87 psi



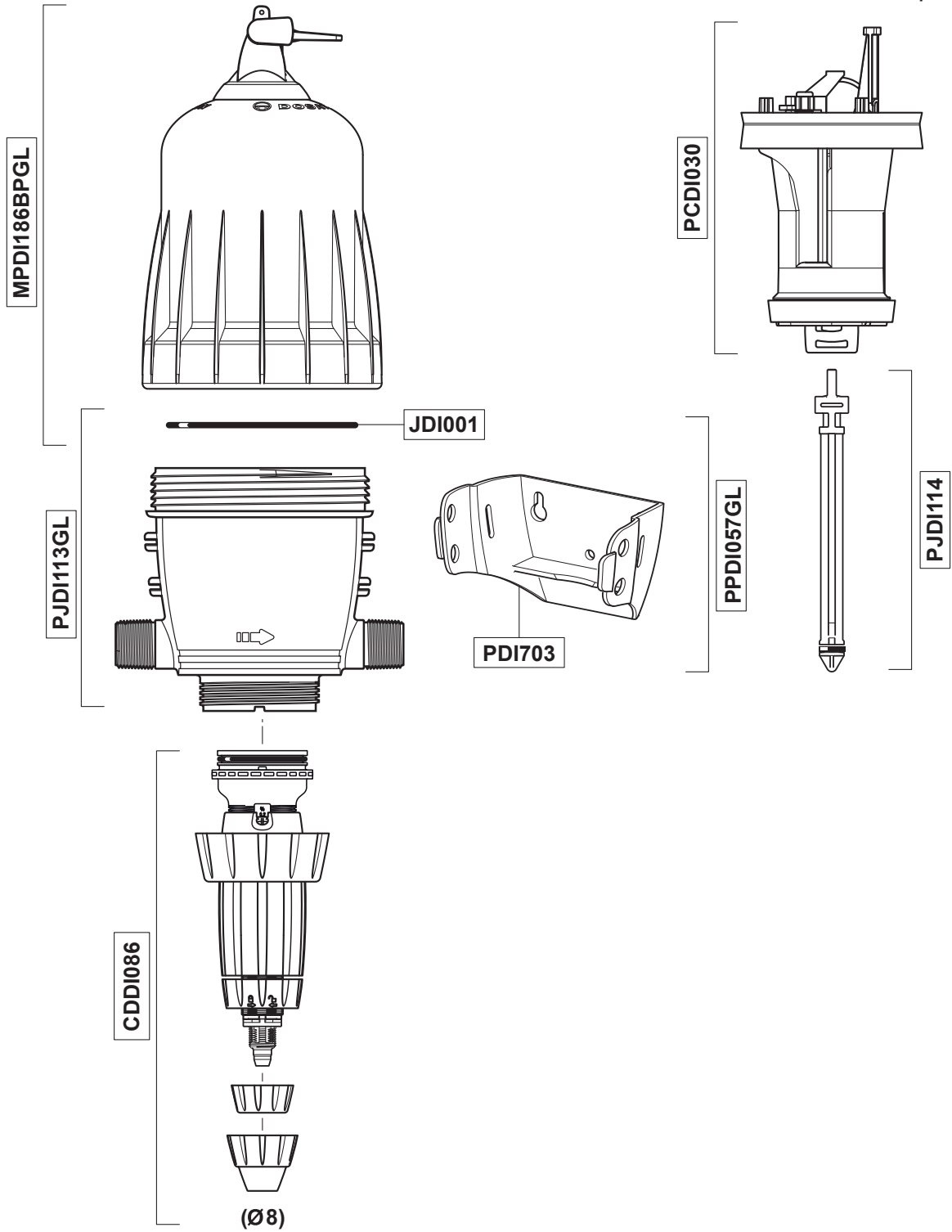
# D30GL02

30 m<sup>3</sup>/h - 0.02 - 0.2%  
140 GPM - 1:5000 - 1:500  
0.5 - 6 bar  
7.25 - 87 psi

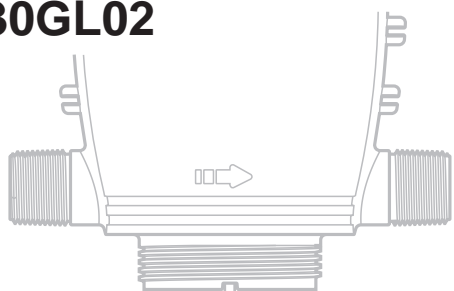


# D30GL02

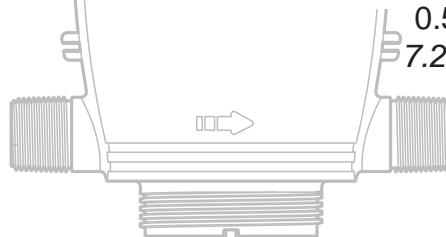
30 m<sup>3</sup>/h - 0.02 - 0.2%  
140 GPM - 1:5000 - 1:500  
0.5 - 6 bar  
7.25 - 87 psi



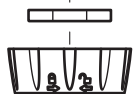
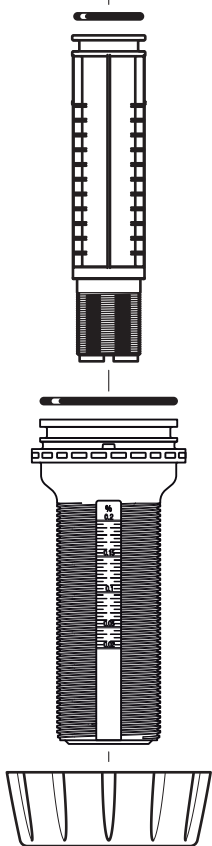
# D30GL02



30 m<sup>3</sup>/h - 0.02 - 0.2%  
140 GPM - 1:5000 - 1:500  
0.5 - 6 bar  
7.25 - 87 psi



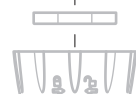
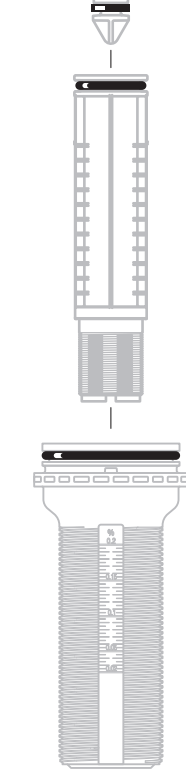
CDDI086



(Ø8)



PJDI116



(Ø8)

