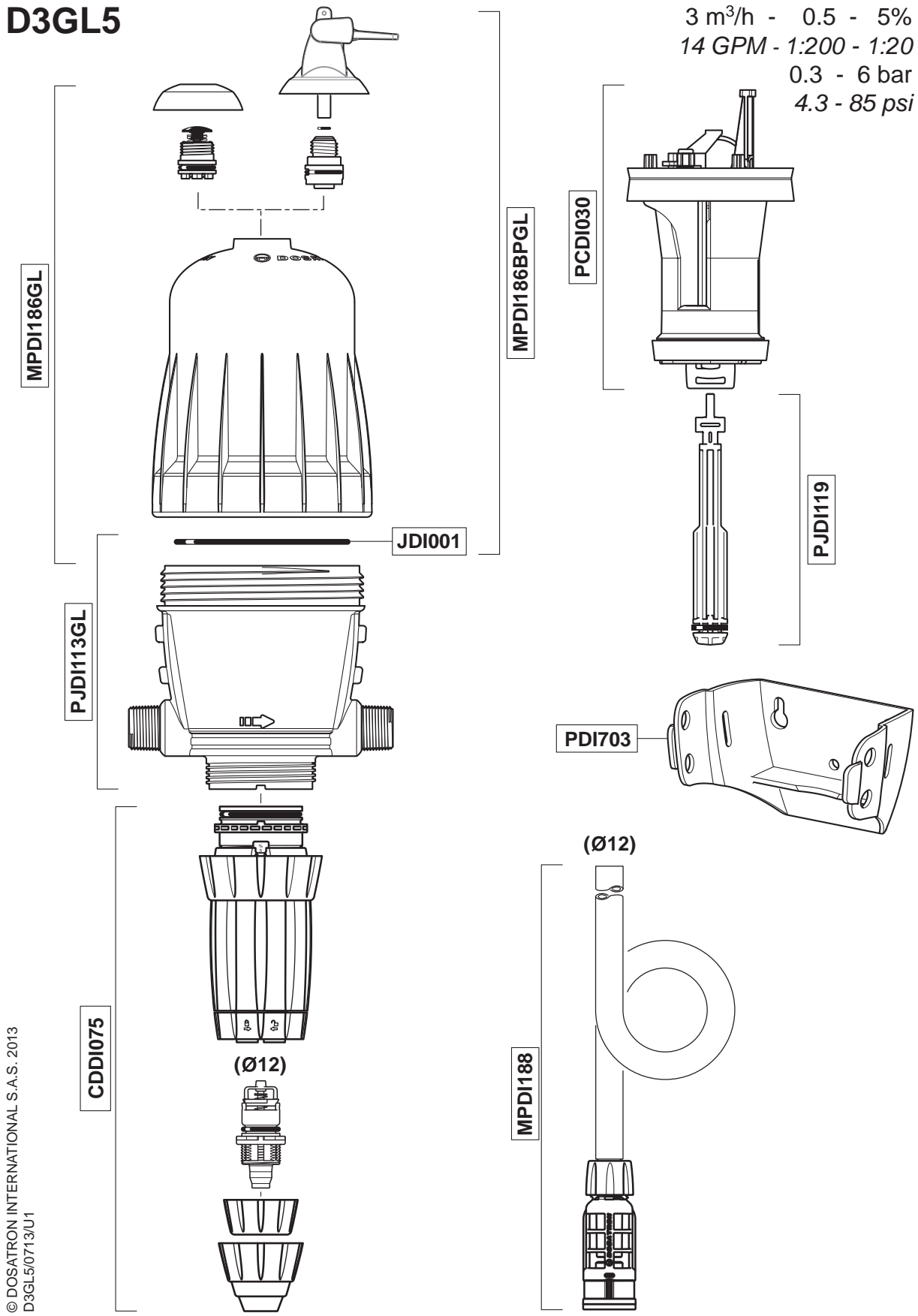


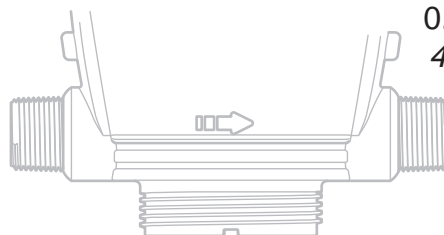
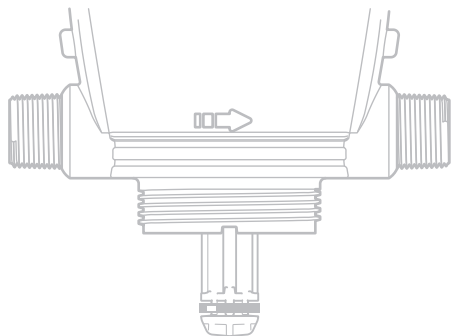
D3GL5

3 m³/h - 0.5 - 5%
 14 GPM - 1:200 - 1:20
 0.3 - 6 bar
 4.3 - 85 psi



D3GL5

3 m³/h - 0.5 - 5%
14 GPM - 1:200 - 1:20
0.3 - 6 bar
4.3 - 85 psi



CDDI075

PJD1120

© DOSATRON INTERNATIONAL S.A.S. 2013
D3GL5/0713/U2

